

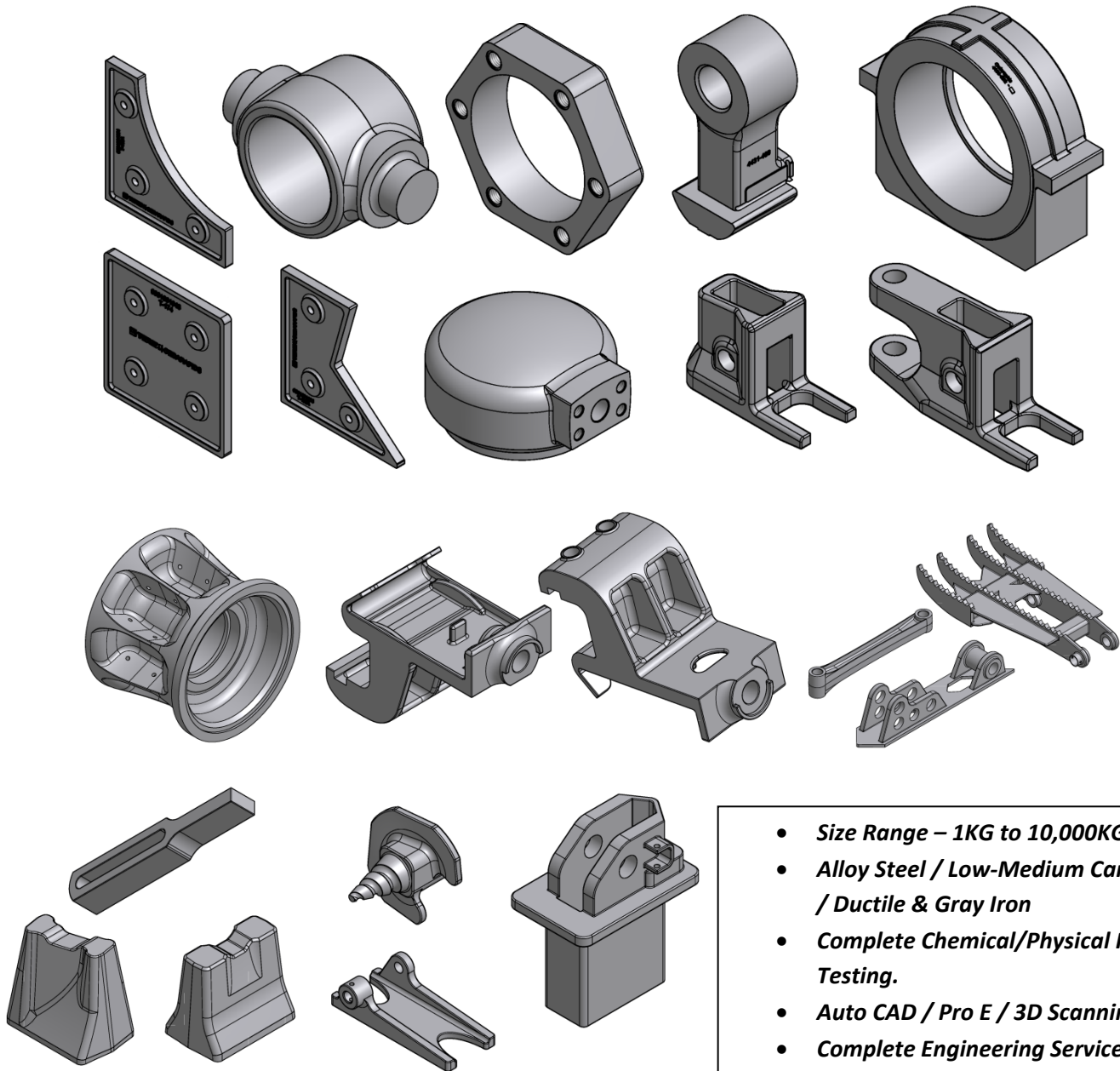


H-E PARTS DISTRIBUTION

An H-E Parts International Company

www.h-eParts.com

Custom Cast ∞ Forged ∞ Machined Parts



- **Size Range – 1KG to 10,000KG**
- **Alloy Steel / Low-Medium Carbon Steel / Ductile & Gray Iron**
- **Complete Chemical/Physical Property Testing.**
- **Auto CAD / Pro E / 3D Scanning**
- **Complete Engineering Services**

Economic and Superior Quality Alternative to In-house Fabricating
fast turn around – low development costs – private labeling – any steel specification

Atlanta 800-438-2699 - Des Moines 800-426-4136 - Miami 305-477-8000 – Seattle 800-273-9327 - Toronto 800-438-2699

