

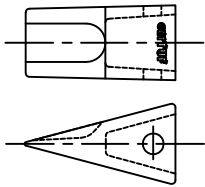
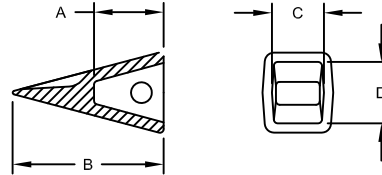


H-E PARTS DISTRIBUTION

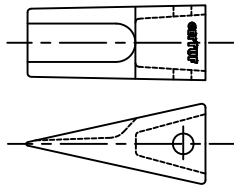
An H-E Parts International Company

www.h-eParts.com

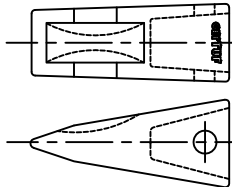
CAT TOOTH SERIES



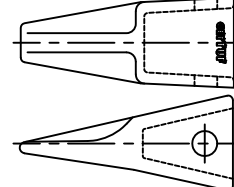
SHORT



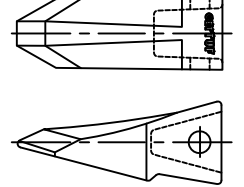
LONG



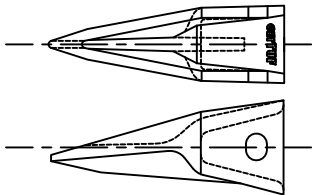
HEAVY LONG



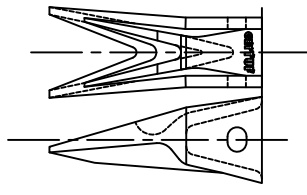
PENETRATOR



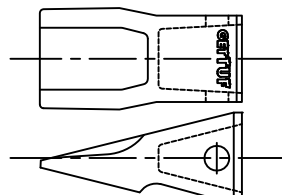
ROCK
PENETRATOR



TIGER



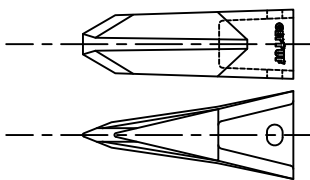
TWIN TIGER



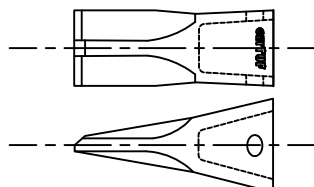
ABRASION



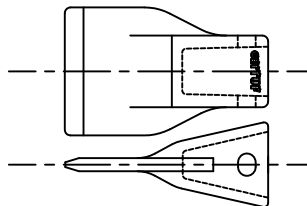
ABRASION HD



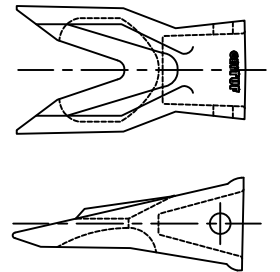
ROCK CHISEL



SYL



FLARE



TWIN TIGER - R

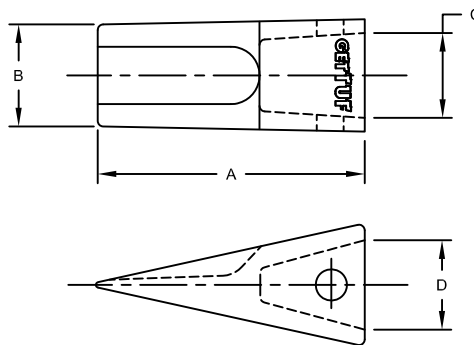


H-E PARTS DISTRIBUTION

An H-E Parts International Company

www.h-eParts.com

CAT TOOTH SERIES



*LONG
(TYPE 1)*

Series	ItemNumber	ProductLine	ItemDescription	Weight	A	B	C	D	Pin	Lock
J200	1U3202	CAT	TOOTH, LONG	2.9	5-3/4 (146)	2 (51)	1-9/16 (40)	1-27/32 (47)	9W7112 8E6208 1U4208	8E6209 4T0001
J225	6Y3222	CAT	TOOTH, LONG	4.5	6-5/8 (168)	2-1/4 (57)	1-15/16 (49)	2-11/32 (60)	6Y3228	8E6259 3G9609
J250	1U3252	CAT	TOOTH, LONG	6.4	7-1/2 (191)	2-9/16 (65)	2-5/32 (55)	2-11/16 (68)	8E6208 9J2258	8E6259 3G9609
J300	1U3302	CAT	TOOTH, LONG	9.5	8-9/16 (217)	3 (76)	2-5/8 (67)	3-1/32 (77)	9J2308	8E6259 3G9549
J350	1U3352	CAT	TOOTH, LONG	14.1	9-1/2 (241)	3-1/2 (89)	2-15/16 (75)	3-5/16 (84)	8E6358 9J2358	8E6359 3G9549 6Y9459
J400	7T3402	CAT	TOOTH, LONG	20.6	10-1/2 (267)	4-1/4 (108)	3-15/32 (88)	3-21/32 (93)	7T3408	8E8409 7T3409
J460	1U3452	CAT	TOOTH, LONG	26.0	11-3/8 (289)	4-5/8 (117)	3-7/8 (98)	3-29/32 (99)	8E0468 6Y2527 1U1458	8E8469 6Y9459 3G9549
J550	1U3552	CAT	TOOTH, LONG	40.7	13-3/16 (335)	5-3/4 (146)	4-11/16 (119)	4-11/32 (110)	8E5558 6Y8558 1U1558	8E5559 3G9549
J550	9W8552	CAT	TOOTH, LONG	40.6	13-3/16 (335)	5-3/4 (146)	4-11/16 (119)	4-11/32 (110)	8E5558 6Y8558 1U1558	8E5559 3G9549
J600	6I6602	CAT	TOOTH, LONG	71.3	15 (381)	6-1/2 (165)	5-5/8 (143)	5-7/32 (133)	6I6608	6I6609
J700	4T4702	CAT	TOOTH, LONG	84.0	16-1/2 (419)	7-1/8 (181)	6 (152)	5-11/16 (144)	4T4708	4T4707

Atlanta 800-438-2699 - Des Moines 800-426-4136 - Miami 305-477-8000 - Seattle 800-273-9327 - Toronto 800-438-2699

All manufacturer's, names, number, symbols, and descriptions are used for reference purpose only. It is not implied that any part is the product of these manufacturers.

RL 07152010

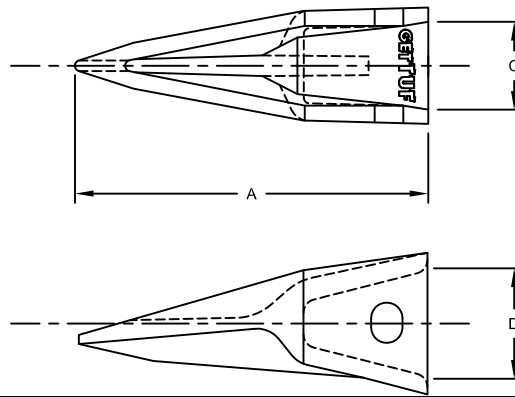


H-E PARTS DISTRIBUTION

An H-E Parts International Company

www.h-eParts.com

CAT TOOTH SERIES



*TIGER
(TYPE 2)*

Series	ItemNumber	ProductLine	ItemDescription	Weight	A	B	C	D	Pin	Lock
J200	1U3202TL	CAT	TOOTH, TIGER LONG	2.4	6-1/2 (165)		1-9/16 (40)	1-27/32 (47)	9W7112 8E6208 1U4208	8E6209 4T0001
J225	6Y3222T	CAT	TOOTH, TIGER	4.3	7-7/8 (200)		1-15/16 (49)	2-11/32 (60)	6Y3228	8E6259 3G9609
J225	6Y3222TL	CAT	TOOTH, TIGER	4.6	7-7/8 (200)		1-15/16 (49)	2-11/32 (60)	6Y3228	8E6259 3G9609
J250	1U3252TL	CAT	TOOTH, TIGER LONG	6.2	8 (203)		2-5/32 (55)	2-11/16 (68)	8E6208 9J2258	8E6259 3G9609
J300	1U3302TL	CAT	TOOTH, TIGER	10.1	9-1/2 (241)		2-5/8 (67)	3-1/32 (77)	9J2308	8E6259 3G9549
J350	1U3352TL	CAT	TOOTH, TIGER LONG	14.3	11-1/4 (286)		2-15/16 (75)	3-5/16 (84)	8E6358 9J2358	8E6359 3G9549 6Y9459
J400	7T3402TL	CAT	TOOTH, TIGER LONG	21.8	12-1/2 (318)		3-15/32 (88)	3-21/32 (93)	7T3408	8E8409 7T3409
J460	1U3452TL	CAT	TOOTH, TIGER LONG	28.4	14-1/16 (357)		3-7/8 (98)	3-29/32 (99)	8E0468 6Y2527 1U1458	8E8469 6Y9459 3G9549
J550	1U3552TL	CAT	TOOTH, TIGER	35.0	15 (381)		4-11/16 (119)	4-11/32 (110)	8E5558 6Y8558 1U1558	8E5559 3G9549
J600	6I6602TL	CAT	TOOTH, TIGER	71.7	18 (475)		5-5/8 (143)	5-7/32 (133)	6I6608	6I6609

Atlanta 800-438-2699 - Des Moines 800-426-4136 - Miami 305-477-8000 - Seattle 800-273-9327 - Toronto 800-438-2699

All manufacturer's, names, number, symbols, and descriptions are used for reference purpose only. It is not implied that any part is the product of these manufacturers.

RL 07152010

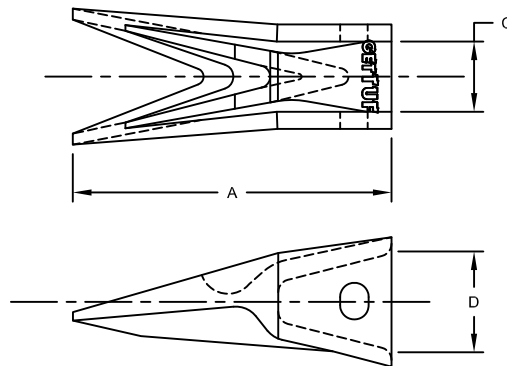


H-E PARTS DISTRIBUTION

An H-E Parts International Company

www.h-eParts.com

CAT TOOTH SERIES



*TWIN TIGER
(TYPE 3)*

Series	ItemNumber	ProductLine	ItemDescription	Weight	A	B	C	D	Pin	Lock
J200	1U3202WTL	CAT	TOOTH, TWIN TIGER LONG	2.9	6-1/2 (165)		1-9/16 (40)	1-27/32 (47)	9W7112 8E6208 1U4208	8E6209 4T0001
J225	6Y3222WTL	CAT	TOOTH, TWIN TIGER	5.5	7-7/8 (200)		1-15/16 (49)	2-11/32 (60)	6Y3228	8E6259 3G9609
J250	135-8258	CAT	FORGED TWIN TIGER	7.3	8 (203)		2-5/32 (55)	2-11/16 (68)	8E6208 9J2258	8E6259 3G9609
J250	1U3252WTL	CAT	TOOTH, TWIN TIGER	7.5	8 (203)		2-5/32 (55)	2-11/16 (68)	8E6208 9J2258	8E6259 3G9609
J300	1U3302WTL	CAT	TOOTH, TWIN TIGER	11.0	9-1/2 (241)		2-5/8 (67)	3-1/32 (77)	9J2308	8E6259 3G9549
J350	1U3352WTL	CAT	TOOTH, TWIN TIGER LONG	15.5	11-1/4 (286)		2-15/16 (75)	3-5/16 (84)	8E6358 9J2358	8E6359 3G9549 6Y9459
J400	7T3402WTL	CAT	TOOTH, TWIN TIGER LONG	25.0	12-1/2 (318)		3-15/32 (88)	3-21/32 (93)	7T3408	8E8409 7T3409
J460	1U3452WTL	CAT	TOOTH, TWIN TIGER LONG	32.6	14-1/16 (357)		3-7/8 (98)	3-29/32 (99)	8E0468 6Y2527 1U1458	8E8469 6Y9459 3G9549
J550	1U3552WTL	CAT	TOOTH, TWIN TIGER	39.4	15 (381)		4-11/16 (119)	4-11/32 (110)	8E5558 6Y8558 1U1558	8E5559 3G9549
J600	6I6602WTL	CAT	TOOTH, TWIN TIGER	79.0	18 (475)		5-5/8 (143)	5-7/32 (133)	6I6608	6I6609

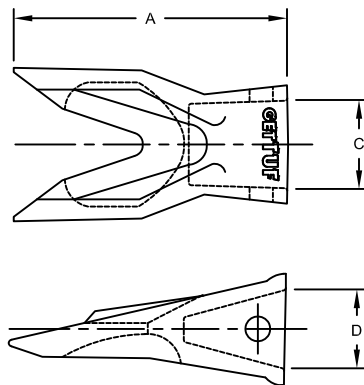


H-E PARTS DISTRIBUTION

An H-E Parts International Company

www.h-eParts.com

CAT TOOTH SERIES



*TWIN TIGER - R
(TYPE 4)*

Series	ItemNumber	ProductLine	ItemDescription	Weight	A	B	C	D	Pin	Lock
J350	GT35WTL	CAT	TOOTH, GETTUF WTL	16.3	11-1/4 (286)		2-15/16 (75)	3-5/16 (84)	8E6358 9J2358	8E6359 3G9549 6Y9459
J460	GT45WTL	CAT	TOOTH, GETTUF WTL	33.0	14-1/16 (357)		3-7/8 (98)	3-29/32 (99)	8E0468 6Y2527 1U1458	8E8469 6Y9459 3G9549

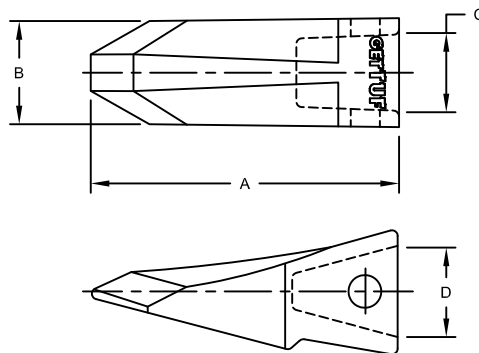


H-E PARTS DISTRIBUTION

An H-E Parts International Company

www.h-eParts.com

CAT TOOTH SERIES



ROCK
PENETRATOR
(TYPE 5)

Series	ItemNumber	ProductLine	ItemDescription	Weight	A	B	C	D	Pin	Lock
J250	9N4253RP2	CAT	TOOTH, ABRASION HD	8.8	7-7/8 (200)	2-7/16 (61)	2-5/32 (55)	2-11/16 (68)	8E6208 9J2258	8E6259 3G9609
J300	GT30HDA	CAT	TOOTH, GETTUF HDA	17.0	8-9/16 (217)	3 (76)	2-5/8 (67)	3-1/32 (77)	9J2308	8E6259 3G9549
J350	4T2353RP2	CAT	TOOTH, ROCK PENETRATOR	23.0	11-11/16 (297)	3-3/4 (95)	2-15/16 (75)	3-5/16 (84)	8E6358 9J2358	8E6359 3G9549 6Y9459
J400	7T3402RP2	CAT	TOOTH, ROCK PENETRATOR	29.9	13 (330)	4-1/8 (105)	3-15/32 (88)	3-21/32 (93)	7T3408	8E8409 7T3409
J400	7T3403RP2	CAT	TOOTH, ROCK PENETRATOR	35.5	13 (330)	4-1/8 (105)	3-15/32 (88)	3-21/32 (93)	7T3408	8E8409 7T3409
J460	9W1453RP2	CAT	TOOTH, ROCK PENETRATOR	45.3	14-1/4 (362)	5-5/8 (143)	3-7/8 (98)	3-29/32 (99)	8E0468 6Y2527 1U1458	8E8469 6Y9459 3G9549
J460	9W1453RP3	CAT	TOOTH, ROCK PENETRATOR	51.0	14-1/4 (362)	5-5/8 (143)	3-7/8 (98)	3-29/32 (99)	8E0468 6Y2527 1U1458	8E8469 6Y9459 3G9549
J550	9W1553RP2	CAT	TOOTH, ROCK PENETRATOR	59.4	14-3/4 (375)	5-5/32 (131)	4-11/16 (119)	4-11/32 (110)	8E5558 6Y8558 1U1558	8E5559 3G9549
J550	9W1553RP3	CAT	HD ROCK PENETRATION	68.5	15-1/4 (387)	5-5/32 (131)	4-11/16 (119)	4-11/32 (110)	8E5558 6Y8558 1U1558	8E5559 3G9549
J600	6I6602RP2	CAT	TOOTH, ABRASION HD	123.9	17-3/4 (451)	6-1/4 (159)	5-5/8 (143)	5-7/32 (133)	6I6608	6I6609
J700	4T4702RP	CAT	TOOTH, ROCK PENETRATOR	111.1	19-1/2 (495)	6-7/8 (175)	6 (152)	5-11/16 (144)		
J700	4T4703RP	CAT	TOOTH, ROCK PENETRATOR	110.3	19-1/2 (495)	6-7/8 (175)	6 (152)	5-11/16 (144)	4T4708	4T4707

Atlanta 800-438-2699 - Des Moines 800-426-4136 - Miami 305-477-8000 - Seattle 800-273-9327 - Toronto 800-438-2699

All manufacturer's, names, number, symbols, and descriptions are used for reference purpose only. It is not implied that any part is the product of these manufacturers.

RL 07152010



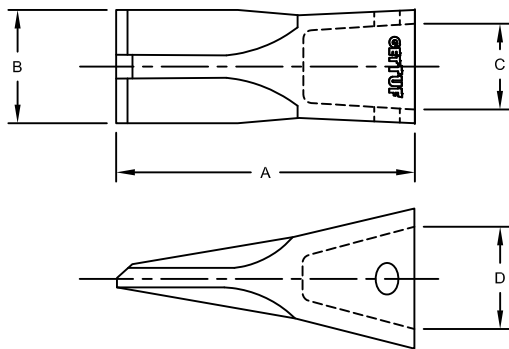
H-E PARTS DISTRIBUTION

An H-E Parts International Company

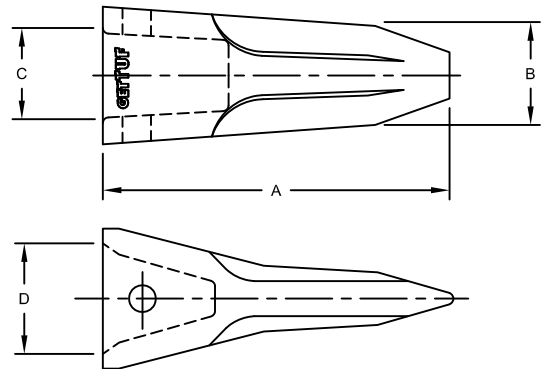
www.h-eParts.com

CAT TOOTH SERIES

STYLE - A



STYLE - B



SYL
(TYPE 6)

Series	ItemNumber	Style	ProductLine	ItemDescription	Weight	A	B	C	D	Pin	Lock
J250	GT25SYL	B	CAT	TOOTH, GETTUFF SYL	6.6	7-1/2 (191)	2-9/16 (65)	2-5/32 (55)	2-11/16 (68)	8E6208 9J2258	8E6259 3G9609
J300	1U3302SYL	A	CAT	TOOTH, SYL	10.0	8-9/16 (217)	3 (76)	2-5/8 (67)	3-1/32 (77)	9J2308	8E6259 3G9549
J300	GT30SYL	B	CAT	TOOTH, GETTUFF SYL	9.9	8-9/16 (217)	3 (76)	2-5/8 (67)	3-1/32 (77)	9J2308	8E6259 3G9549
J350	1U3352SYL	A	CAT	1U3352 TOOTH, SYL	14.5	10-1/2 (266)	4 (101)	2-15/16 (75)	3-5/16 (84)	8E6358 9J2358	8E6359 3G9549 6Y9459
J350	GT35SYL	B	CAT	TOOTH, GETTUFF SYL	13.2	10-1/2 (266)	4 (101)	2-15/16 (75)	3-5/16 (84)	8E6358 9J2358	8E6359 3G9549 6Y9459
J400	1U3402SYL	A	CAT	1U3402 TOOTH, SYL	20.0	10-1/2 (267)	4-1/4 (108)	3-15/32 (88)	3-21/32 (93)	9J2308	8E6259 3G9549
J400	8E4402SYL	A	CAT	TOOTH, HD SYL	28.8	11-3/4 (298)	4-11/16 (119)	3-15/32 (88)	3-21/32 (93)	7T3408	8E8409 7T3409
J460	1U3452SYL	A	CAT	TOOTH, SYL	29.7	12-3/4 (324)	5-1/8 (130)	3-7/8 (98)	3-29/32 (99)	8E0468 6Y2527 1U1458	8E8469 6Y9459 3G9549
J460	GT45SYL	B	CAT	TOOTH, GETTUFF SYL	24.4	12-3/4 (324)	5-1/8 (130)	3-7/8 (98)	3-29/32 (99)	8E0468 6Y2527 1U1458	8E8469 6Y9459 3G9549
J550	1U3552SYL	A	CAT	TOOTH, SYL	43.4	13-3/16 (335)	5-3/4 (146)	4-11/16 (119)	4-11/32 (110)	8E5558 6Y8558 1U1558	8E5559 3G9549

Atlanta 800-438-2699 - Des Moines 800-426-4136 - Miami 305-477-8000 - Seattle 800-273-9327 - Toronto 800-438-2699

All manufacturer's, names, number, symbols, and descriptions are used for reference purpose only. It is not implied that any part is the product of these manufacturers.

RL 07152010



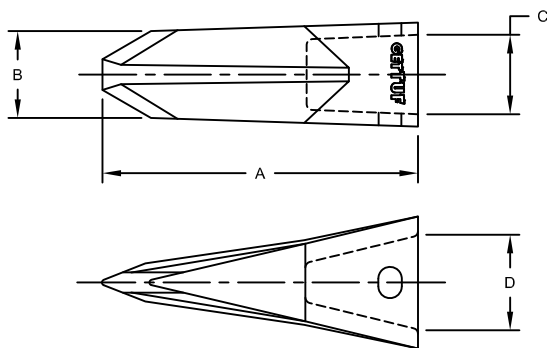
H-E PARTS DISTRIBUTION

An H-E Parts International Company

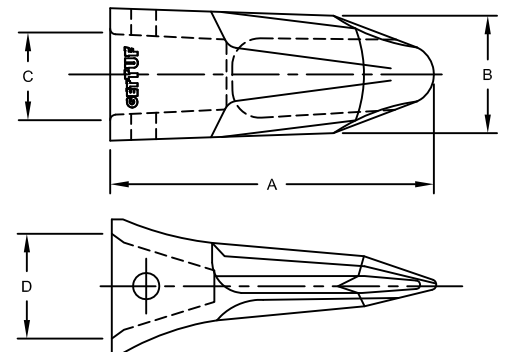
www.h-eParts.com

CAT TOOTH SERIES

STYLE - A



STYLE - B



ROCK CHISEL
(TYPE 7)

Series	ItemNumber	Style	ProductLine	ItemDescription	Weight	A	B	C	D	Pin	Lock
J300	GT30HDP	B	CAT	TOOTH, GETTUF HDP	10.9	8-9/16 (217)		2-5/8 (67)	3-1/32 (77)	9J2308	8E6259 3G9549
J350	1U3352RC	A	CAT	TOOTH, ROCK CHISEL	16.7	11 (278)	3-1/2 (89)	2-15/16 (75)	3-5/16 (84)	8E6358 9J2358	8E6359 3G9549 6Y9459
J350	GT35HDP	B	CAT	TOOTH, GETTUF HDP	15.9	10-1/2 (266)		2-15/16 (75)	3-5/16 (84)	8E6358 9J2358	8E6359 3G9549 6Y9459
J400	GT40HDP	B	CAT	TOOTH, GETTUF HDP	23.3	12-1/8 (308)		3-15/32 (88)	3-21/32 (93)	7T3408	8E8409 7T3409
J460	1U3452RC	A	CAT	TOOTH, ROCK CHISEL	31.5	13	4 1/4	3-7/8 (98)	3-29/32 (99)	8E0468 6Y2527 1U1458	8E8469 6Y9459 3G9549
J460	9W1453RC	A	CAT	TOOTH ROCK CHISEL	52.0	11-5/8 (295)	5-5/8 (143)	3-7/8 (98)	3-29/32 (99)	8E0468 6Y2527 1U1458	8E8469 6Y9459 3G9549
J460	GT45HDP	B	CAT	TOOTH, GETTUF HDP	28.7	11-5/8 (295)		3-7/8 (98)	3-29/32 (99)	8E0468 6Y2527 1U1458	8E8469 6Y9459 3G9549
J550	1U3552RC	A	CAT	TOOTH, ROCK CHISEL	41.9	15 (381)	5-1/8 (130)	4-11/16 (119)	4-11/32 (110)	8E5558 6Y8558 1U1558	8E5559 3G9549
J550	9W8552RC	A	CAT	TOOTH, ROCK CHISEL	54.0	15 (381)	5-1/8 (130)	4-11/16 (119)	4-11/32 (110)	8E5558 6Y8558 1U1558	8E5559 3G9549
J600	6I6602RC	A	CAT	TOOTH, ROCK CHISEL	87.3	18	6-1/2 (165)	5-5/8 (143)	5-7/32 (133)	6I6608	6I6609

Atlanta 800-438-2699 - Des Moines 800-426-4136 - Miami 305-477-8000 - Seattle 800-273-9327 - Toronto 800-438-2699

All manufacturer's, names, number, symbols, and descriptions are used for reference purpose only. It is not implied that any part is the product of these manufacturers.

RL 07152010

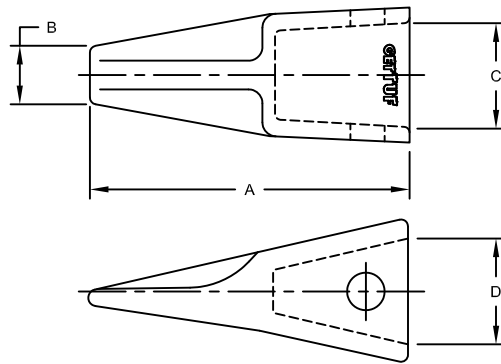


H-E PARTS DISTRIBUTION

An H-E Parts International Company

www.h-eParts.com

CAT TOOTH SERIES



*PENETRATOR
(TYPE 8)*

Series	ItemNumber	ProductLine	ItemDescription	Weight	A	B	C	D	Pin	Lock
J250	9J4259	CAT	TOOTH, PENETRATION	5.4	7-9/16 (192)		2-5/32 (55)	2-11/16 (68)	8E6208 9J2258	8E6259 3G9609
J300	9J4309	CAT	TOOTH, PENETRATION	8.6	8-9/16 (217)		2-5/8 (67)	3-1/32 (77)	9J2308	8E6259 3G9549
J350	9J4359	CAT	TOOTH, PENETRATION	11.8	9-7/8 (251)		2-15/16 (75)	3-5/16 (84)	8E6358 9J2358	8E6359 3G9549 6Y9459
J460	9J4459	CAT	TOOTH, PENETRATION	21.2	11-5/8 (295)		3-7/8 (98)	3-29/32 (99)	8E0468 6Y2527 1U1458	8E8469 6Y9459 3G9549
J460	9W8459	CAT	TOOTH, PENETRATION	21.5	11-5/8 (295)		3-7/8 (98)	3-29/32 (99)	8E0468 6Y2527 1U1458	8E8469 6Y9459 3G9549
J550	9W8559	CAT	TOOTH, PENETRATOR	35.0	13-3/16 (335)		4-11/16 (119)	4-11/32 (110)	8E5558 6Y8558 1U1558	8E5559 3G9549
J700	4T4709	CAT	TOOTH PENETRATION	75.7	16-1/2 (419)	3-1/8 (77)	6 (152)	5-11/16 (144)	4T4708	4T4707



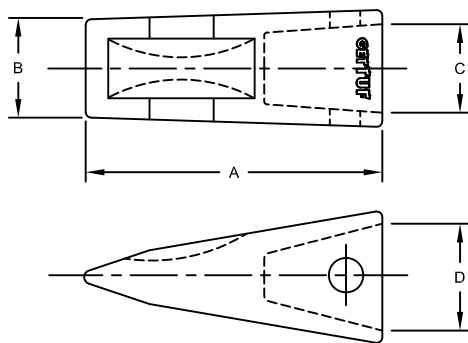
H-E PARTS DISTRIBUTION

An H-E Parts International Company

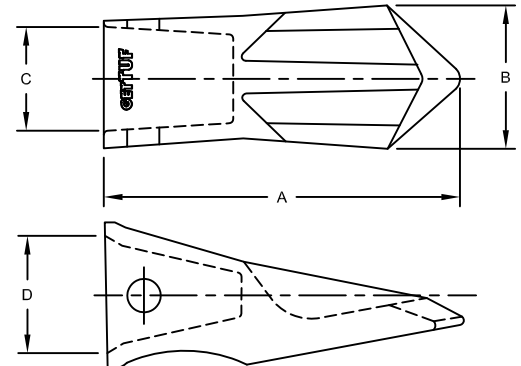
www.h-eParts.com

CAT TOOTH SERIES

STYLE - A



STYLE - B



HEAVY LONG
(TYPE 9)

Series	ItemNumber	Style	ProductLine	ItemDescription	Weight	A	B	C	D	Pin	Lock
J250	9N4252	A	CAT	TOOTH, LONG HD	8.5	7-7/8 (200)	2-7/16 (61)	2-5/32 (55)	2-11/16 (68)	8E6208 9J2258	8E6259 3G9609
J250	GT25HDL	B	CAT	TOOTH, GETTUF HDL	8.9	7-1/2 (191)	2-9/16 (65)	2-5/32 (55)	2-11/16 (68)	8E6208 9J2258	8E6259 3G9609
J300	9N4302	A	CAT	TOOTH, LONG HD	12.7	8-9/16 (217)	3 (76)	2-5/8 (67)	3-1/32 (77)	9J2308	8E6259 3G9549
J300	GT30HDL	B	CAT	TOOTH, GETTUF HDL	13.3	8-9/16 (217)	3 (76)	2-5/8 (67)	3-1/32 (77)	9J2308	8E6259 3G9549
J350	9N4352	A	CAT	TOOTH, LONG HD	17.2	9-7/8 (251)	3-1/2 (89)	2-15/16 (75)	3-5/16 (84)	8E6358 9J2358	8E6359 3G9549 6Y9459
J350	GT35HDL	B	CAT	TOOTH, GETTUF HDL	16.6	9-7/8 (251)	3-1/2 (89)	2-15/16 (75)	3-5/16 (84)	8E6358 9J2358	8E6359 3G9549 6Y9459
J400	8E4402	A	CAT	TOOTH, HD LONG	26.2	11 (279)	4 (101)	3-15/32 (88)	3-21/32 (93)	7T3408	8E8409 7T3409
J460	9N4452	A	CAT	TOOTH, LONG HD	35.8	12-1/2 (317)	4-1/2 (114)	3-7/8 (98)	3-29/32 (99)	8E0468 6Y2527 1U1458	8E8469 6Y9459 3G9549
J550	9N4552	A	CAT	TOOTH, HD LONG	60.1	13-3/16 (335)	5-3/4 (146)	4-11/16 (119)	4-11/32 (110)	8E5558 6Y8558 1U1558	8E5559 3G9549
J600	7Y0602	A	CAT	TOOTH, HD LONG	93.7	16 (406)	6-1/2 (165)	5-5/8 (143)	5-7/32 (133)	6I6608	6I6609

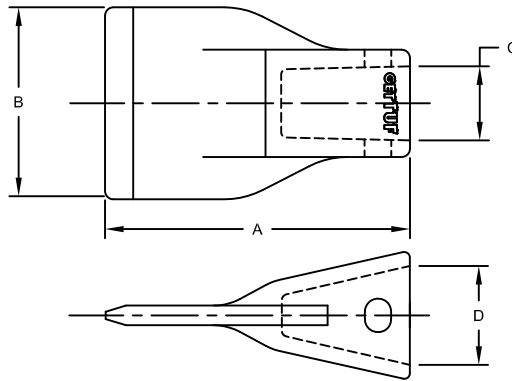


H-E PARTS DISTRIBUTION

An H-E Parts International Company

www.h-eParts.com

CAT TOOTH SERIES



**FLARE
(TYPE 10)**

Series	ItemNumber	ProductLine	ItemDescription	Weight	A	B	C	D	Pin	Lock
J250	3G8250	CAT	TOOTH, FLARE	8.2	7-3/4 (197)	4-1/2 (114)	2-5/32 (55)	2-11/16 (68)	8E6208 9J2258	8E6259 3G9609
J300	4T1300	CAT	TOOTH, FLARE	13.2	8-9/16 (217)	6 (152)	2-5/8 (67)	3-1/32 (77)	9J2308	8E6259 3G9549
J350	8J3350	CAT	TOOTH, FLARE (107-3350)	17.3	9-1/2 (241)	7 (178)	2-15/16 (75)	3-5/16 (84)	8E6358 9J2358	8E6359 3G9549 6Y9459
J400	7T3400	CAT	TOOTH, FLARE	25.6	10-5/16 (262)	8-1/4 (210)	3-15/32 (88)	3-21/32 (93)	7T3408	8E8409 7T3409
J400	7T3402F	CAT	FLARED TOOTH	25.0	10-5/16 (262)	8-1/4 (210)	3-15/32 (88)	3-21/32 (93)	7T3408	8E8409 7T3409
J460	8J1450	CAT	TOOTH, FLARE (1073450)	32.8	11-1/4 (286)	9 (229)	3-7/8 (98)	3-29/32 (99)	8E0468 6Y2527 1U1458	8E8469 6Y9459 3G9549
J550	7J9550	CAT	TOOTH, FLARE 1073550	59.0	13 (330)	11 (279)	4-11/16 (119)	4-11/32 (110)	8E5558 6Y8558 1U1558	8E5559 3G9549

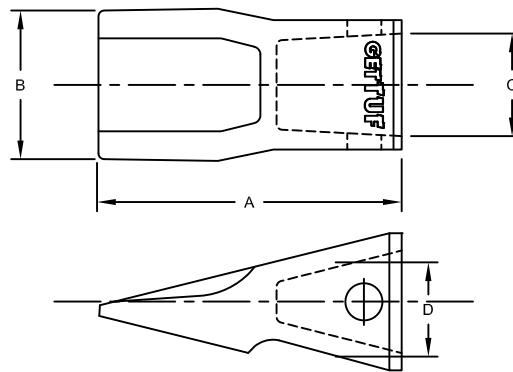


H-E PARTS DISTRIBUTION

An H-E Parts International Company

www.h-eParts.com

CAT TOOTH SERIES



ABRASION
(TYPE 11)

Series	ItemNumber	Style	ProductLine	ItemDescription	Weight	A	B	C	D	Pin	Lock
J200	4T2203		CAT	TOOTH, ABRASION	3.1	5-3/4 (146)	2-3/8 (60)	1-9/16 (40)	1-27/32 (47)	9W7112 8E6208 1U4208	8E6209 4T0001
J250	4T2253		CAT	TOOTH, ABRASION	6.6	7-9/16 (192)	3-1/8 (79)	2-5/32 (55)	2-11/16 (68)	8E6208 9J2258	8E6259 3G9609
J300	4T2303		CAT	ABR. TOOTH	11.7	8-9/16 (217)	3-7/8 (98)	2-5/8 (67)	3-1/32 (77)	9J2308	8E6259 3G9549
J350	4T2353		CAT	TOOTH, ABRASION	13.2	9-1/2 (241)	4-1/2 (113)	2-15/16 (75)	3-5/16 (84)	8E6358 9J2358	8E6359 3G9549 6Y9459
J350	9J4353		CAT	TOOTH ABR. OLD STYLE	13.8	9-1/2 (241)	4-1/2 (113)	2-15/16 (75)	3-5/16 (84)	8E6358 9J2358	8E6359 3G9549 6Y9459
J400	7T3403		CAT	TOOTH, ABRASION HD	33.1	10-3/4 (273)	5-11/16 (144)	3-15/32 (88)	3-21/32 (93)	7T3408	8E8409 7T3409
J460	9W1453		CAT	TOOTH, ABRASION	30.0	11-5/8 (295)	5-5/8 (143)	3-7/8 (98)	3-29/32 (99)	8E0468 6Y2527 1U1458	8E8469 6Y9459 3G9549
J550	9W1553		CAT	TOOTH, ABRASION HD	53.2	14 (356)	7-1/2 (191)	4-11/16 (119)	4-11/32 (110)	8E5558 6Y8558 1U1558	8E5559 3G9549
J600	6I6603		CAT	TOOTH, ABRASION HD	123.9	16-1/4 (413)	9 (229)	5-5/8 (143)	5-7/32 (133)	6I6608	6I6609
J700	4T4703		CAT	TOOTH, HD ABRASION	107.2	16-3/8 (416)	9-3/8 (238)	6 (152)	5-11/16 (144)	4T4708 9U9616	4T4707

Atlanta 800-438-2699 - Des Moines 800-426-4136 - Miami 305-477-8000 - Seattle 800-273-9327 - Toronto 800-438-2699

All manufacturer's, names, number, symbols, and descriptions are used for reference purpose only. It is not implied that any part is the product of these manufacturers.

RL 07152010

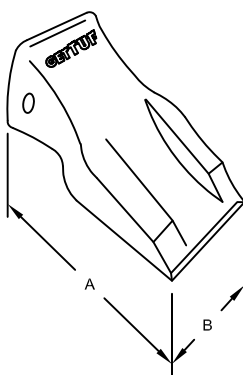


H-E PARTS DISTRIBUTION

An H-E Parts International Company

www.h-eParts.com

CAT TOOTH SERIES



*ABRASION HD
(TYPE 12)*

Series	ItemNumber	ProductLine	ItemDescription	Weight	A	B	C	D	Pin	Lock
J250	9N4253	CAT	TOOTH, ABRASION HD	9.5	7-7/8 (200)	2-7/16 (61)	2-5/32 (55)	2-11/16 (68)	8E6208 9J2258	8E6259 3G9609
J300	GT30HDA	CAT	TOOTH, GETTUF HDA	17.0	8-9/16 (217)	3 (76)	2-5/8 (67)	3-1/32 (77)	9J2308	8E6259 3G9549
J300	9N4303	CAT	TOOTH, ABRASION HD	15.9	8-9/16 (217)	3 (76)	2-5/8 (67)	3-1/32 (77)	9J2308	8E6259 3G9549
J350	9N4353	CAT	TOOTH, ABRASION HD	26.5	9-7/8 (251)	3-1/2 (89)	2-15/16 (75)	3-5/16 (84)	8E6358 9J2358	8E6359 3G9549 6Y9459
J350	GT35HD	CAT	TOOTH, GETTUF HD	18.7	9-7/8 (251)	3-1/2 (89)	2-15/16 (75)	3-5/16 (84)	8E6358 9J2358	8E6359 3G9549 6Y9459
J460	9N4453	CAT	TOOTH, ABRASION HD	48.9	12-1/2 (317)	5-5/8 (143)	3-7/8 (98)	3-29/32 (99)	8E0468 6Y2527 1U1458	8E8469 6Y9459 3G9549
J550	6Y2553	CAT	TOOTH, ABRASION HD	67.0	14 (356)	7-1/2 (191)	4-11/16 (119)	4-11/32 (110)	8E5558 6Y8558 1U1558	8E5559 3G9549
J550	6Y2553HD	CAT	TOOTH, HEAVY DUTY ABR	81.0	14 (356)	7-1/2 (191)	4-11/16 (119)	4-11/32 (110)	8E5558 6Y8558 1U1558	8E5559 3G9549
J800	6I8803	CAT	TOOTH, ABRASION	230.0	18-3/4 (476)	11-1/2 (290)	6-3/4 (171)	6-3/8 (162)	1020101	1012874

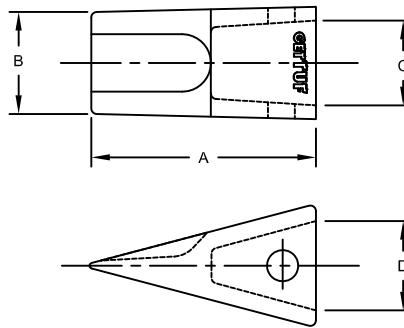


H-E PARTS DISTRIBUTION

An H-E Parts International Company

www.h-eParts.com

CAT TOOTH SERIES



*SHORT
(TYPE 13)*

Series	ItemNumber	ProductLine	ItemDescription	Weight	A	B	C	D	Pin	Lock
J200	1U3201	CAT	TOOTH, SHORT	2.4	4-11/16 (119)	2 (51)	1-9/16 (40)	1-27/32 (47)	9W7112 8E6208 1U4208	8E6209 4T0001
J250	1U3251	CAT	TOOTH, SHORT	5.8	6-9/16 (167)	2-9/16 (65)	2-5/32 (55)	2-11/16 (68)	8E6208 9J2258	8E6259 3G9609
J300	1U3301	CAT	TOOTH, SHORT	8.4	7-1/2 (191)	3 (76)	2-5/8 (67)	3-1/32 (77)	9J2308	8E6259 3G9549
J350	1U3351	CAT	TOOTH, SHORT	12.1	8-1/8 (206)	3-1/2 (89)	2-15/16 (75)	3-5/16 (84)	8E6358 9J2358	8E6359 3G9549 6Y9459
J460	1U3451	CAT	TOOTH, SHORT	22.1	9-7/8 (251)	4-5/8 (117)	3-7/8 (98)	3-29/32 (99)	8E0468 6Y2527 1U1458	8E8469 6Y9459 3G9549
J460	9W8451	CAT	TOOTH, SHORT	23.9	9-7/8 (251)	4-5/8 (117)	3-7/8 (98)	3-29/32 (99)	8E0468 6Y2527 1U1458	8E8469 6Y9459 3G9549
J550	1U3551	CAT	TOOTH, SHORT	39.0	11-1/4 (286)	5-3/4 (146)	4-11/16 (119)	4-11/32 (110)	8E5558 6Y8558 1U1558	8E5559 3G9549
J550	9W8551	CAT	TOOTH, SHORT	37.1	11-1/4 (286)	5-3/4 (146)	4-11/16 (119)	4-11/32 (110)	8E5558 6Y8558 1U1558	8E5559 3G9549